

Data Sheet

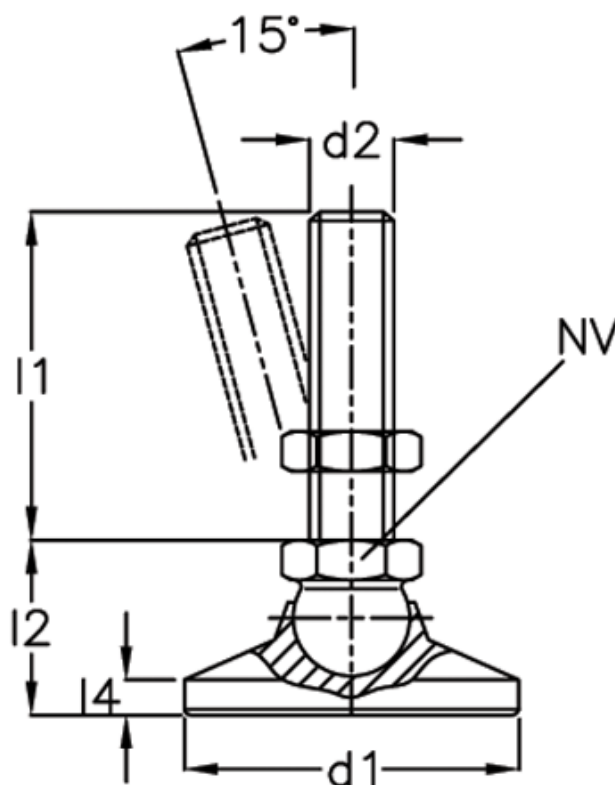


Article number: 20343232M850KR

Description: E+G Levelling foot
GN 343.2-32-M8-50-KR

Note: 0

Measures



$d1 = 32$

$d2 = M8$

$l1 = 50$

$l2 = -$

$l3 = 24.5$

$l4 = -$

$l5 = 6.5$

NV = 12

Static load = 10

Weight in (g) = 57